



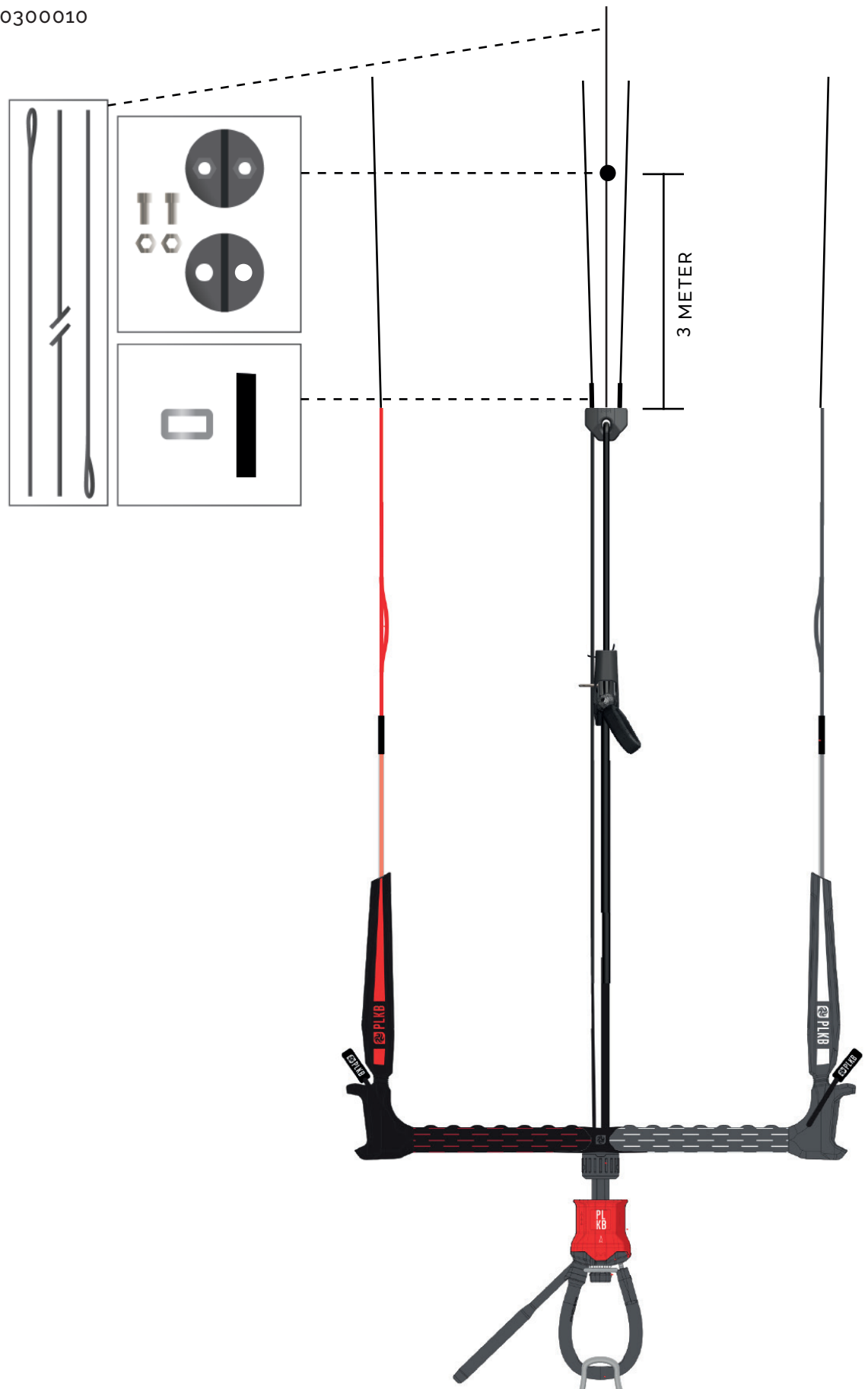
**PLKB**  
**USER MANUAL**

**COMPASS SNOW CONVERSION**

## ADDING 5TH LINE SET

To have a working 5-line system on your PLKB Compass Control Bar, you need to add a 5th line and move the safety line from the powerline to the new 5th line. See next page for instructions.

PLKB Compass 5th Line Set 18m & 22m  
PL100300009 | PL100300010

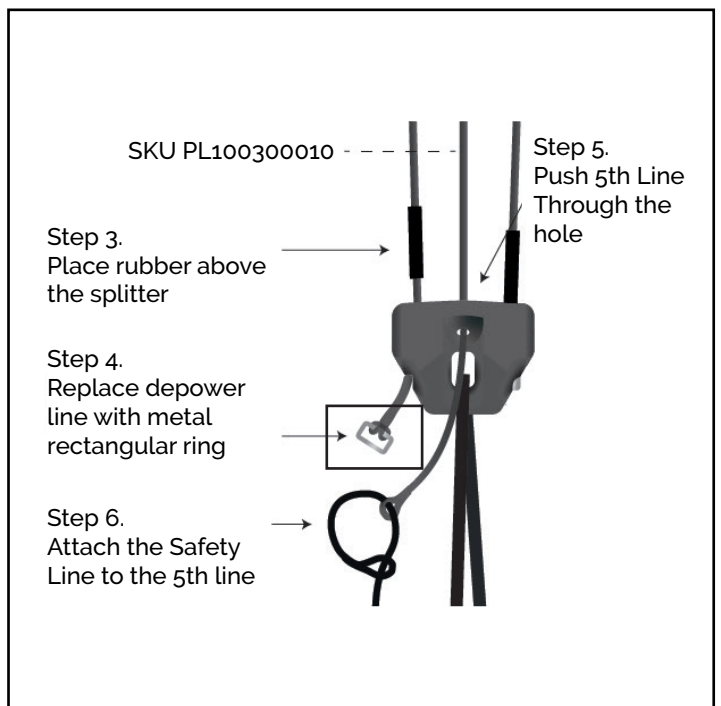
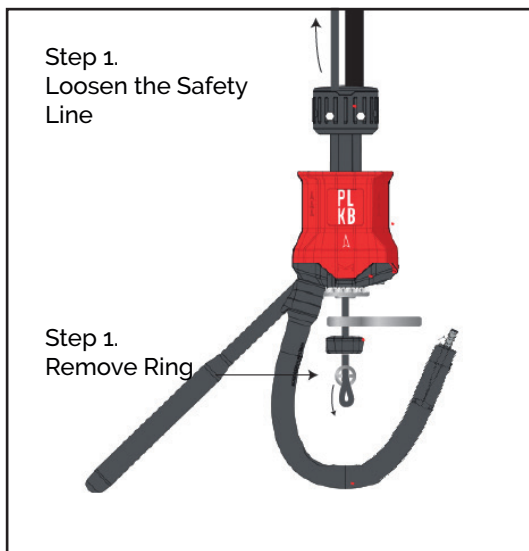
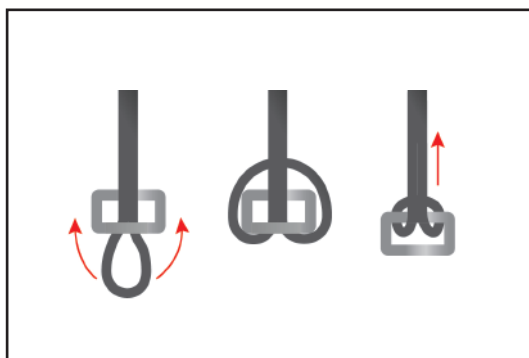


## ADDING THE 5TH LINE

The 5th Line goes through the Line Splitter and should be attached to the Safety Line.

### INSTRUCTIONS

1. Detach the Safety Line from the Safety Line Connector.
2. Remove the Safety Line from the Power Line
3. Add the Rubber Tube above the Line Splitter on the Power Line
4. Add the Metal Rectangular Ring on the Power Line
5. Push the end of the 5th line through the Line Splitter
6. Push the loop of the Safety Line through that of the new 5th line
7. And pull the hole safety leash through it's own loop to attach it
8. Re-attach the safety line with the Safety Line Connector set

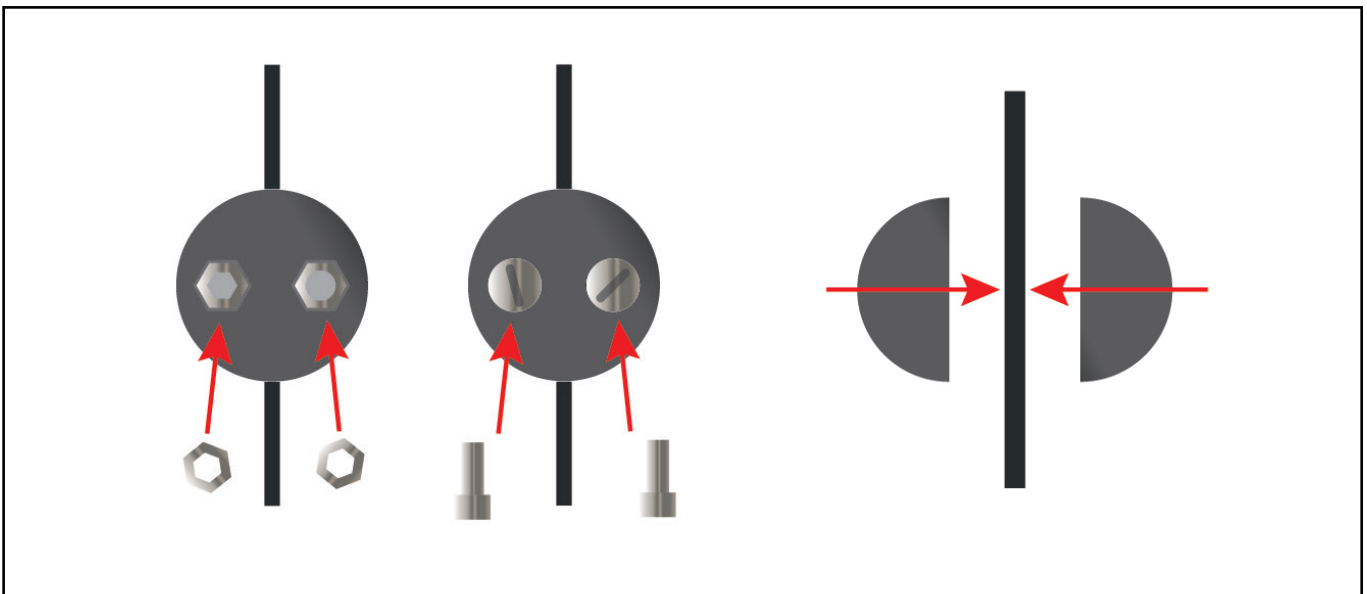


## ADDING THE LINE STOPPERBALL

The Line Stopperball is used to stop the bar from sliding all the way up to the kite after activating the Stop 'n Go safety system. Place the stopperball 3 meter away from the bar. This way the Stop 'n Go safety system will be activated fully and your bar will stop after 3 meter.

### INSTRUCTIONS

1. Put both sides of the Stopperball on top of each other with the line in between.
2. Leave 3 meter between the bar and the Stopperball.
3. Place the Bolt on one side and the nut on the other.
4. Fasten the Bolt with a Screwdriver.



## ADDING THE BRAKE LINE

The Brake Line or self-landing handle can be used to land your kite backwards on the ground and keep it on the ground using a groundstake. The size of the Brake Line depends on the size of the bar. Make sure you apply the correct Brake Line.

PLKB Compass Brake Line for 43cm bar | SKU PL100300020 | EAN 8720088617076

PLKB Compass Brake Line for 51cm bar | SKU PL100300240 | EAN 8720088618714

PLKB Compass Brake Line for 60cm bar | SKU PL100300250 | EAN 8720088618721

### INSTRUCTIONS

1. Unwind your lines
2. Push the loop of the Brake Line through the spliced loops on your leader lines.
3. Push each steering line through the loop of the Brake Line

