



**PLKB**  
**USER MANUAL**

**THE COMPASS CONTROL BAR**



## WELCOME

Thank you for buying this PLKB product, and welcome to the PLKB World, a world of wind driven excitement, where people passionately pursue their dreams. Whether that's freeriding flat waters, foiling with only a summer breeze, freestyle in the storm or charging rolling sets on your wave board. PLKB is here to help you pursue your dream, making you achieve your ultimate challenge and Never stop having fun! Are you ready?

PLKB has been there taking challenges from the early days of the sport. Challenges to develop breakthrough ideas, make better products, improve performance and quality in all aspects of those products. We have the right kites for all kite disciplines, for any terrain and for all conditions. All this is realized by a passionate crew of kite sports enthusiasts and we invite you to join us. It's that passion that makes us fly.

Before any attempt to use this product, please ensure you pay full and careful attention to the contents of this manual. While traction kiting is an exciting and fun sport, it can be highly dangerous, especially if not all the necessary safety precautions are taken. So please make sure you learn this great sport in a safe way. Only then will you progress quickly and enjoy this beautiful sport to the max.

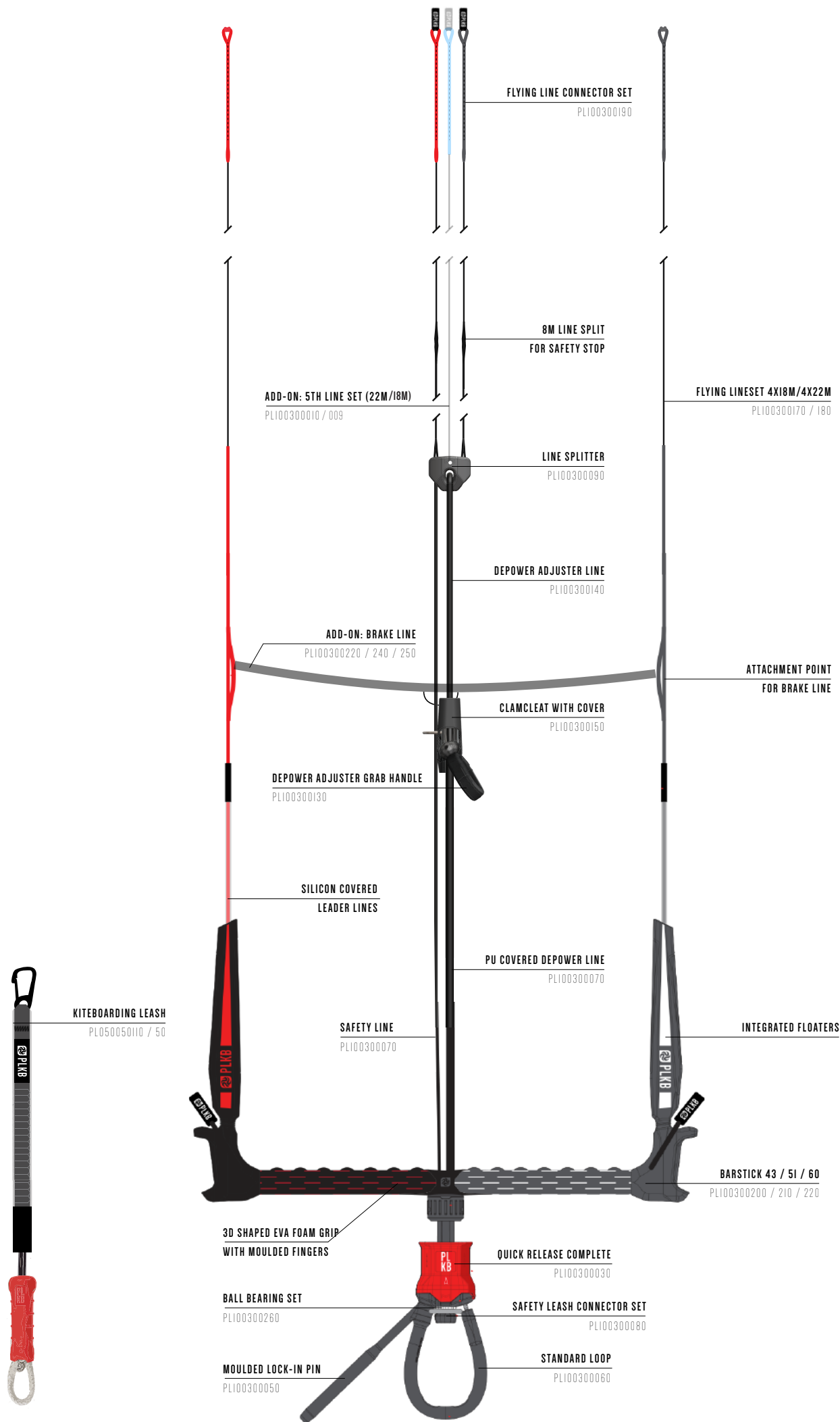
Enjoy!

## CONTENT

---

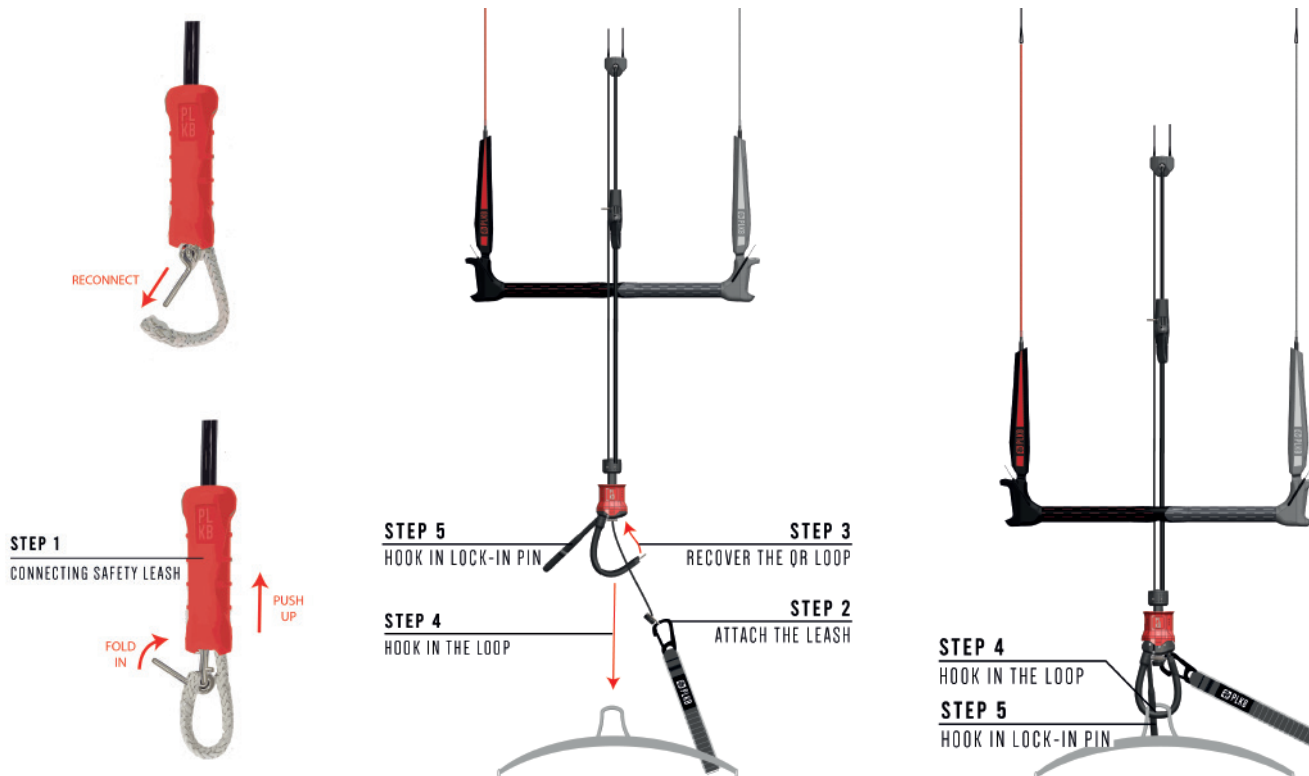
|  |          |
|--|----------|
| <b>SAFETY INSTRUCTIONS</b>               | <b>1</b> |
| <b>TERMINOLOGY</b>                       | <b>2</b> |
| <b>SAFETY SYSTEM</b>                     | <b>3</b> |
| CONNECTING YOUR SAFETY SYSTEM            | 3.1      |
| ACTIVATING THE PRIMARY SAFETY SYSTEM     | 3.2      |
| ACTIVATING THE SECONDARY SAFETY SYSTEM   | 3.3      |
| <b>POWER ADJUSTING</b>                   | <b>4</b> |
| <b>MAINTENANCE</b>                       | <b>5</b> |
| <b>REPLACEMENT PARTS</b>                 | <b>6</b> |
| LOOP                                     | 6.1      |
| LOCK-IN PIN                              | 6.2      |
| SAFETY LINE                              | 6.3      |
| ADJUSTER LINE                            | 6.4      |
| DEPOWER LINE                             | 6.5      |
| BRAKE LINES                              | 6.6      |
| 5TH LINE SET                             | 6.7      |
| <b>WARRANTY</b>                          | <b>7</b> |
| <b>DISCLAIMER - RELEASE OF LIABILITY</b> | <b>8</b> |

# 2. TERMINOLOGY



### 3. SAFETY SYSTEM

Before launching your kite always check if your primary and secondary safety system functions properly. The Compass Control Bar Primary Release System is the Quick Release of the Depower Loop. After activating this Quick Release, the kite is only attached to your Harness by the Safety Leash. The Compass Control Bar Secondary Safety System is the Quick Release on the Safety Leash (Safety Leash not included with the bar). Activating this Release means that you're completely separated from you kite.



#### 3.1 CONNECTING YOUR SAFETY SYSTEMS

##### Step 1 - Connect Safety Leash to the Harness

Connect your Safety leash by pushing the Dyneema loop of the Safety Leash through a metal ring on your harness. Pull the red Quick Release of your Safety Leash up. Push the metal pin through the Dyneema loop and fold the pin back in the QR socket. Make sure it's fastened to your harness.

##### Step 2 - Attach the Safety Leash to the Kite

Hook the black metal buckle of the Safety Leash to the Safety Line Connector.

##### Step 3 - Reconnect your Quick Release Loop

Push the metal part at the end of the Quick Release Loop in the Quick Release Socket until you hear 'click'.

##### Step 4 - Attach the Quick Release Loop to the Harness

Attach the Quick Release Loop to your Harness Hook by hooking in your Quick Release Loop. You are now connected to your Control Bar and kite.

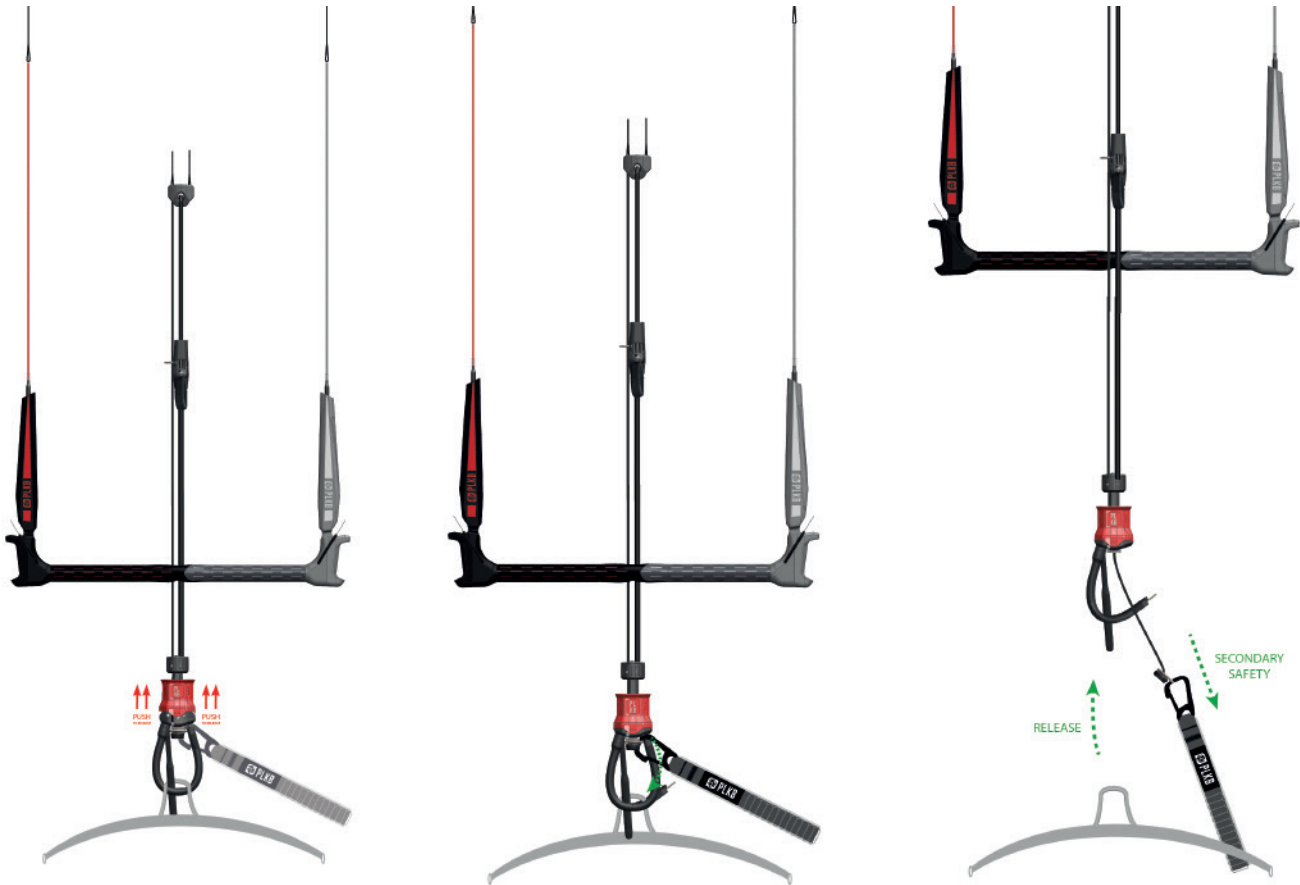
##### Step 5 - Secure the connection by the Lock-in pin

The Lock-in pin prevents the loop from slipping of the Harness hook. Twist the Lock-in pin until it point towards the harness below the loop. Bend the Lock-in pin back and push it between the QR loop and the Harness Hook. Make sure the Loop can not fall out of the Harness when you lose tension.

## 3.2 ACTIVATING YOUR PRIMARY SAFETY SYSTEM

### Step 1 - Push away the Primary Quick Release

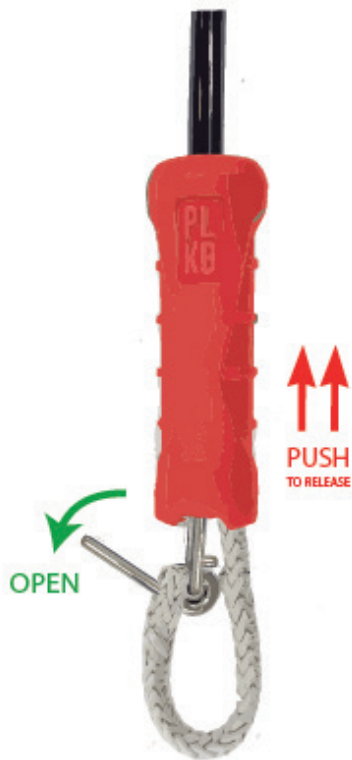
Push the red Quick Release away from your body. By doing this, the Loop will open and will be detached from your Harness Hook. Your Control Bar will move away from you and the Safety System will be activated. You are now only attached to your kite through your Safety Leash (Secondary Safety System).



### 3.3 ACTIVATING YOUR SECONDARY SAFETY SYSTEM

#### Step 1 - Push away the Quick Release of your Safety Leash

Push the red Quick Release of the Safety Leash away from your body. By doing this, the Loop will open and will be detached from your Harness. You are now fully detached from your kite. This means that your kite does not have any Safety System left (!).



## 4. POWER ADJUSTING

### POWER / DEPOWER

#### Depower

By moving your bar towards the kite, the steering lines get relatively longer/power lines get shorter and you depower your kite.



#### Power

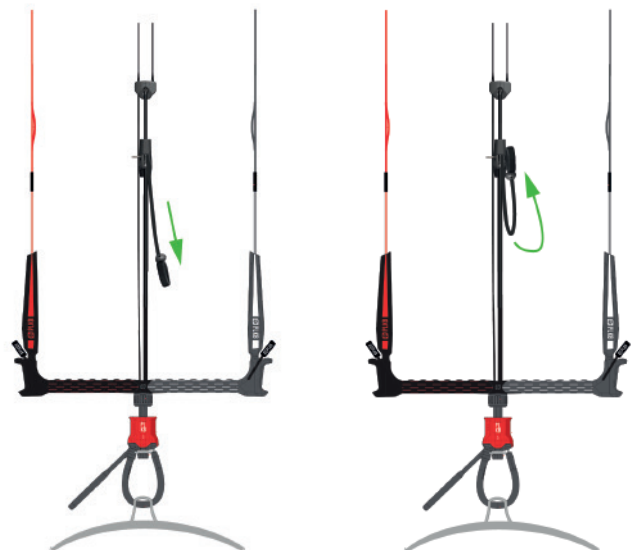
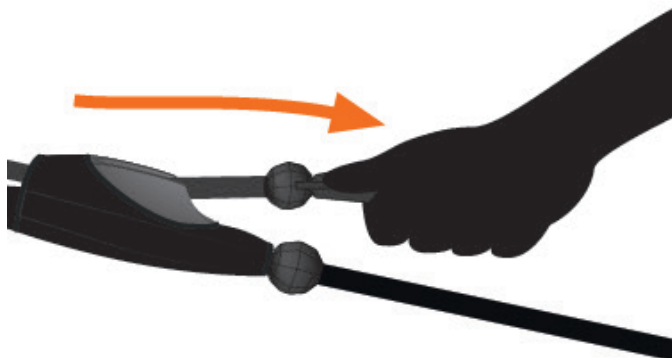
By moving your bar towards your body, the steering lines get relatively shorter and you power your kite.



### POWER ADJUSTER

#### Depower

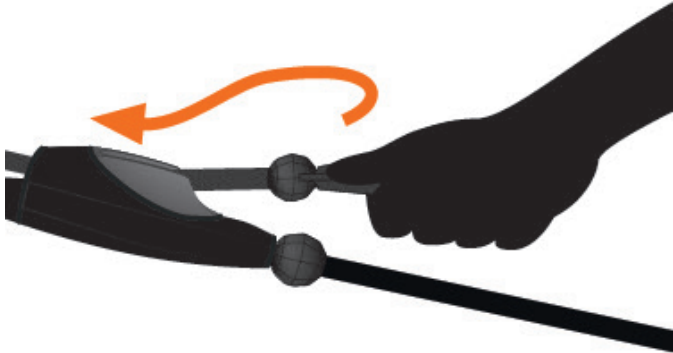
You can depower your kite by making the trimline shorter. By pulling on the adjuster grab handle, towards you and securing it back into the clamcleat, your power lines get shorter and you depower the kite.





## Power

You can power your kite by loosening the trimline and making it longer. Take the adjuster grab handle, disengage the trimline from the clamcleat, move it away from you and secure it back into the clamcleat to power the kite



# 5. MAINTENANCE

## MAINTENANCE

### MAINTENANCE

Take proper care of your equipment! This will help your bar to last a lot longer

- Make sure you regularly check your bar for wear and tear. Make sure to check your depower loop, depower loop tube, depower/adjuster line, adjuster, safety line, endcaps, flying lines and sleeves on the flying lines. Replace parts when needed. There should be a large amount of replacement parts available at your local dealer.
- Before launching, always check that your quick releases are in working order.
- When reaching the water, before starting your kiteboarding session, splash some water on your bar to rinse off sand that is stuck to it. Also when using your bar on land, after launching wipe as much sand off your bar as possible. Especially remove sand from the depower loop, depower/adjuster line, center hole in your bar, stopper and adjuster. Also get rid of any sand on the safety line on the section next to the depower line.
- After every session, rinse your bar with tap water to remove the salt from the bar. Make sure your depower loop, depower/adjuster line, stopper and adjuster are free of sand.
- When using the PLKB Compass bar in the snow. Make sure the Quick Release systems are always clear of snow or ice at all time. A frozen Quick Release could result in malfunction and dangerous situations.

## 6. REPLACEMENT PARTS

### 6.1 REPLACING LOOP



#### INSTRUCTIONS

1. Move the Quick Release up revealing the Hex Screw of the Loop
2. Remove the Hex Screw until you can remove the Loop
3. Remove the loop and replace it
4. When putting back the loop, make sure that the cylinder of the new Loop lines up with the screw socket
5. Tighten the Hex Screw all the way until both sides are clear and the Quick Release closes smoothly



## 6.2 REPLACING LOCK-IN PIN



PLKB Compass Moulded Lock-in pin  
SKU PL100300050 | EAN 8720088617106



### INSTRUCTIONS

1. Remove the Loop (6.1) from its socket
2. Replace the Lock-in Pin
3. Attach the Loop back in its socket



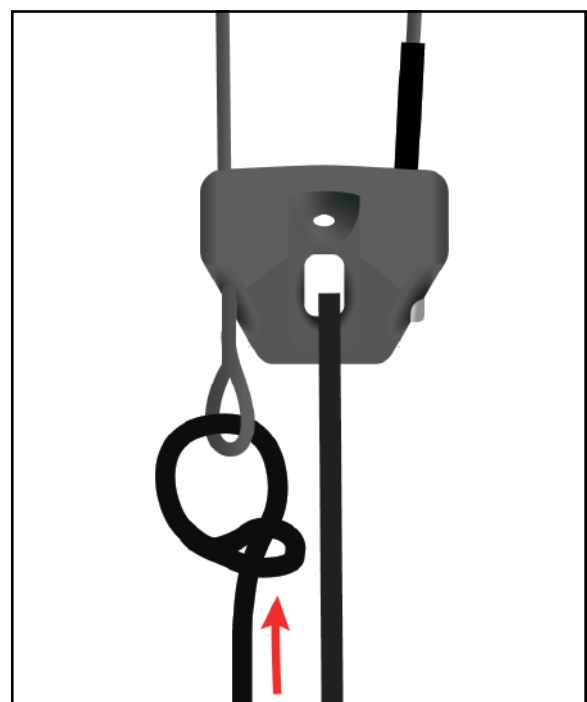
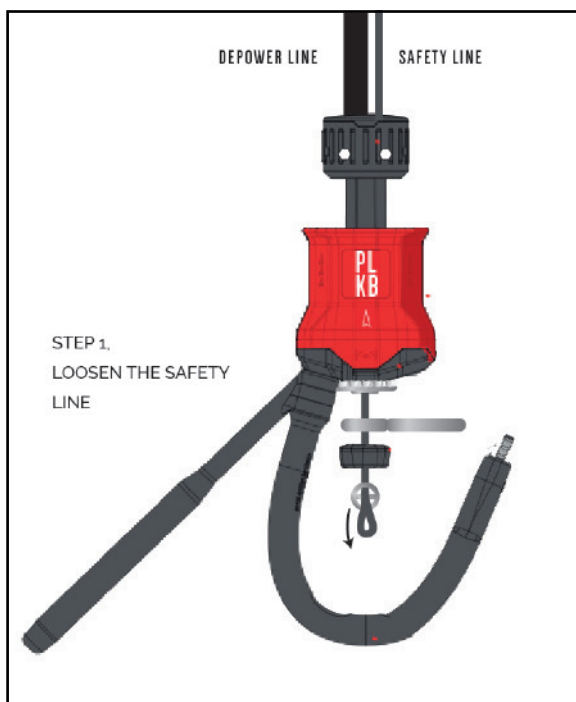
## 6.3 REPLACING THE SAFETY LINE



To replace the Safety Line you need to remove the connector set below on the Quick Release and remove it from the Power Line. Don't forget to pull the Safety Line through the Clamcleat ring.

### INSTRUCTIONS

1. Remove the connector set below the Quick Release
2. Pull the Safety Line through the Quick Release and Clamcleat ring
3. Remove the Safety Line from the Power Line
4. Reverse previous steps



## 6.4 REPLACING ADJUSTER LINE



To remove the adjuster line, you need to remove the Adjuster Handle and remove the Adjuster Line from the Depower Line.

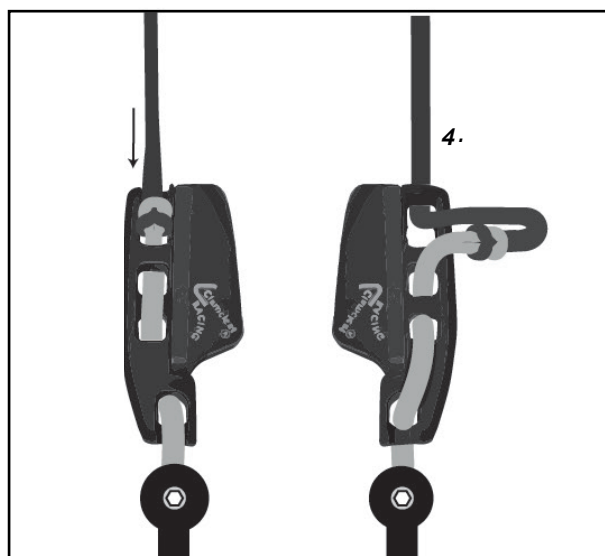
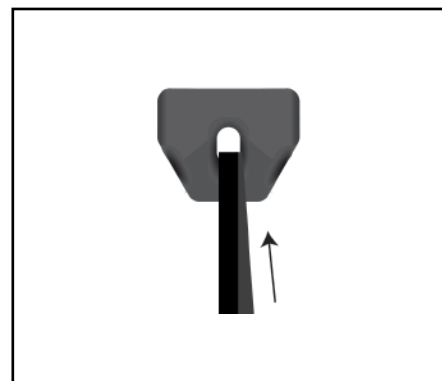
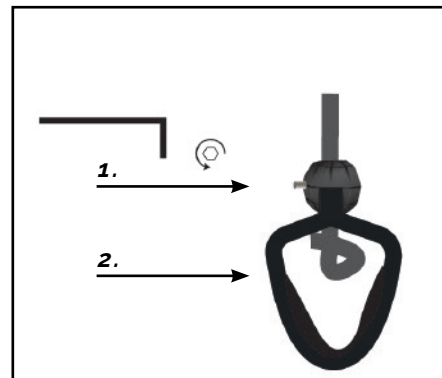
PLKB Compass Depower Adjuster Line  
SKU PL100300140 | EAN 8720088617199



### INSTRUCTIONS

1. Unscrew the Hex Screw
2. Undo knot of the Grab Handle
3. Pull the Adjuster Line through the Line Splitter
4. Push the Adjuster Line towards the Clamcleat to get access to the connection with the Depower Line.
5. detach the Adjuster line
6. Remove the old Adjuster Line and replace it with the new Adjuster Line.
7. Reverse steps 1-4

When your Adjuster line is loose, you can also replace the Depower Line if necessary.



## 6.5 REPLACE DEPOWER LINE



**BE AWARE: WHEN REMOVING THE HEX SCREW FROM THE SWIVEL HEAD, THE CERAMIC BALLS FROM THE BALL BEARING WILL BE LOSENED AND WILL FALL OUT!**

To replace the Depower Line, you need to remove the Safety Line and Adjuster line first. To replace the Depower line,

PLKB Compass PU Covered Depower Line  
SKU PL100300110 | EAN 8720088617168



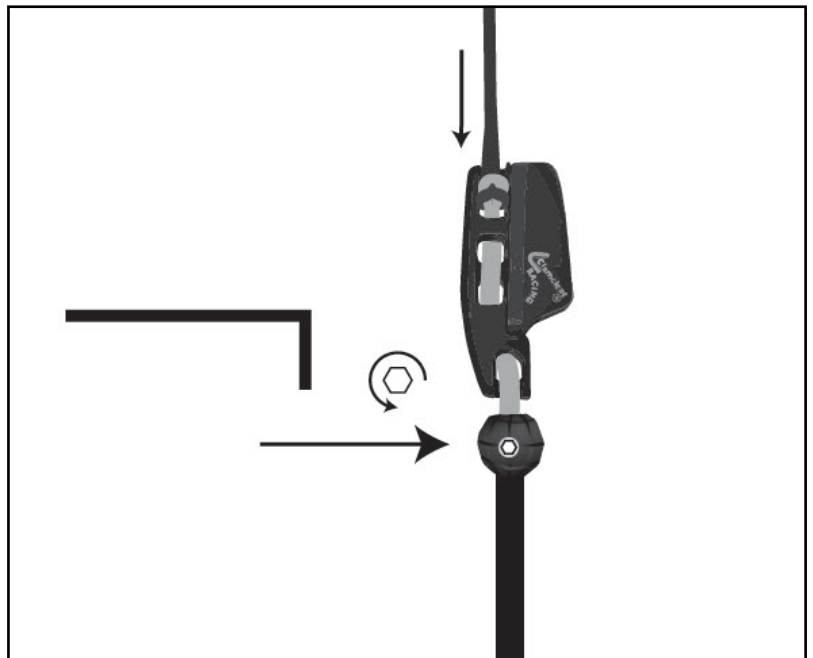
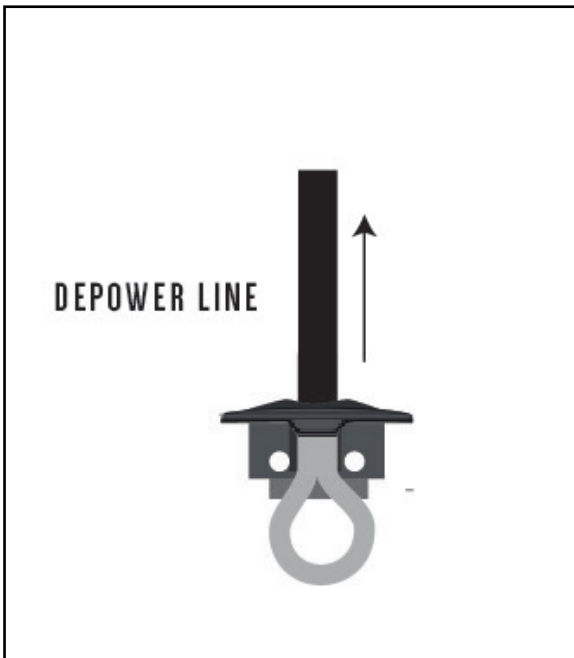
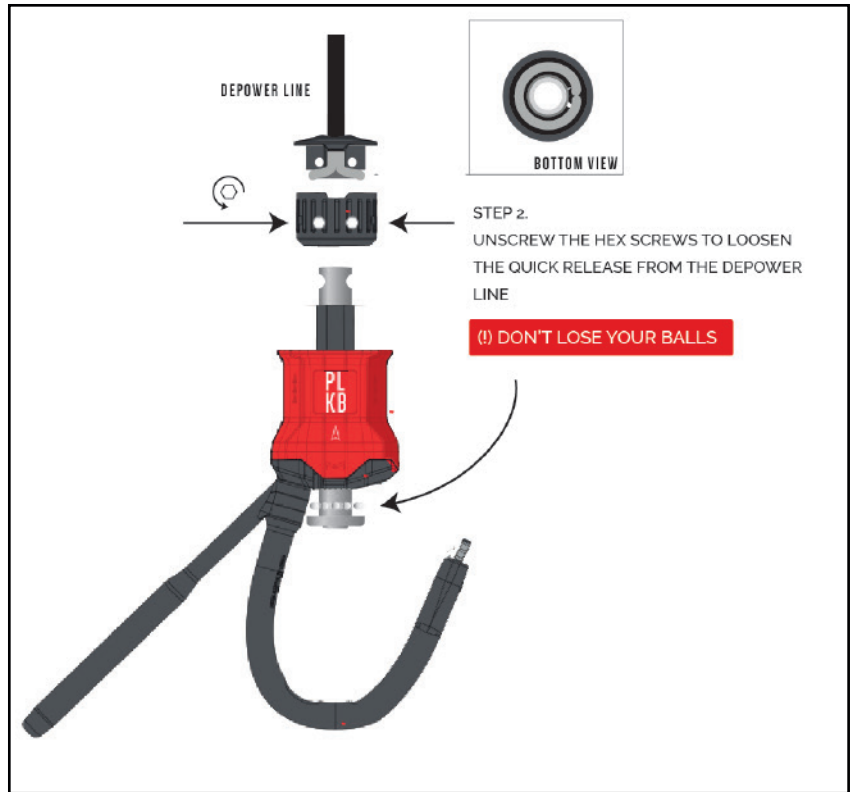
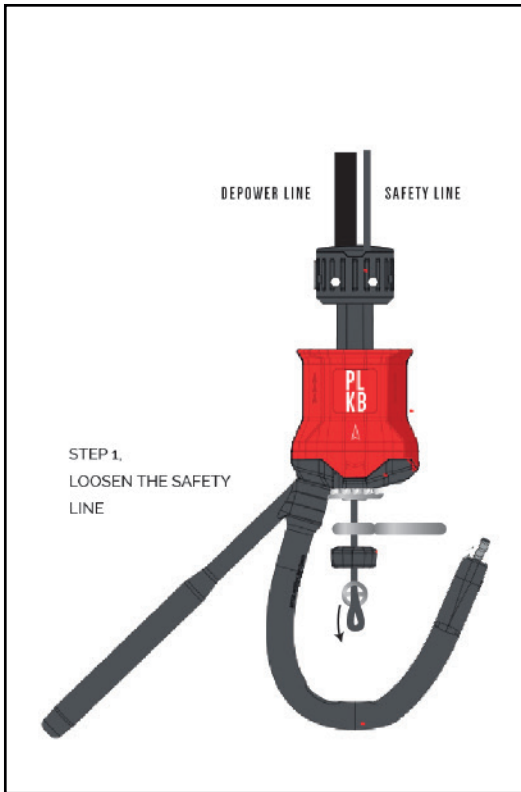
### **INSTRUCTIONS**

1. Remove the Safety Line from the Connector Set below the Quick Release
2. Unscrew the Hex Screws from the Swivel head
3. Pull the Swivel head top part from the bottom part (THIS WILL FREE THE CERAMIC BALLS)
4. Now you can loosen the Depower Line from the Swivel head
  
5. Unscrew the Hex Screw in the Stopperball below the Clamcleat
6. Remove the Depower line from the Adjuster Line  
(The Adjuster Line needs to be loosened from its Adjuster Handle).

### **NEW DEPOWER LINE**

7. Add the Stopperball to the new Depower Line at the side of the long loop
8. Thread the long loop of the Depower Line through the Clamcleat
9. Attach the Adjuster Line
10. Push the Depower Line through the bar
11. Push the Depower Line through the Swivel head and fold it over its inside
12. Screw the Hex Screws back to Close and Complete the Quick Release  
(Don't forget to put all Ceramic balls back)
13. Push the Safety Line back through the Quick Release
14. Re-attach the Connector set of the Safety Line

# REPLACE DEPOWER LINE



## 6.6 ADDING THE BRAKE LINE

The Brake Line or self-landing handle can be used to land your kite backwards on the ground and keep it on the ground using a groundstake. The size of the Brake Line depends on the size of the bar. Make sure you apply the correct Brake Line.

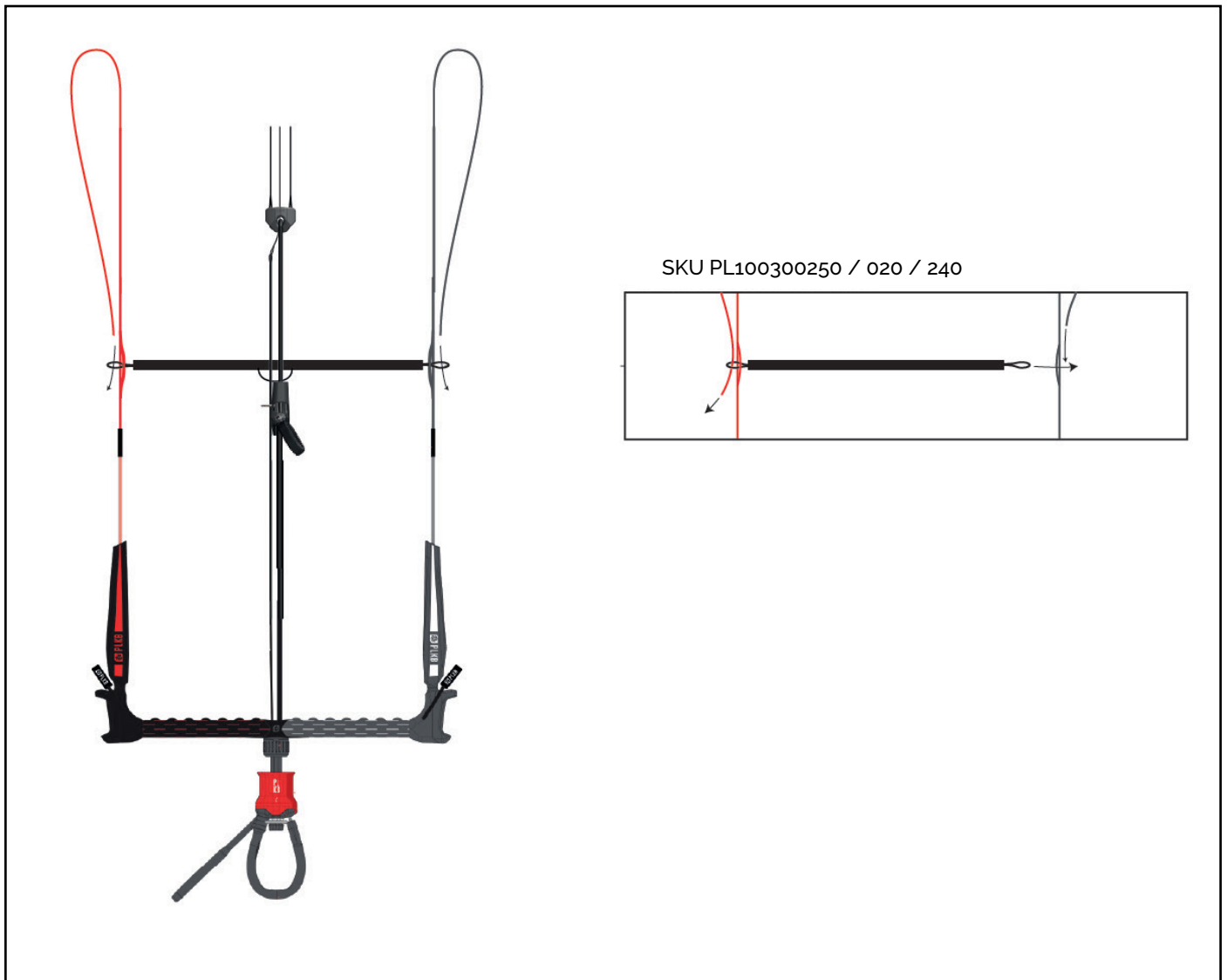
PLKB Compass Brake Line for 43cm bar | SKU PL100300020 | EAN 8720088617076

PLKB Compass Brake Line for 51cm bar | SKU PL100300240 | EAN 8720088618714

PLKB Compass Brake Line for 60cm bar | SKU PL100300250 | EAN 8720088618721

### **INSTRUCTIONS**

1. Unwind your lines
2. Push the loop of the Brake Line through the spliced loops on your leader lines.
3. Push each steering line through the loop of the Brake Line



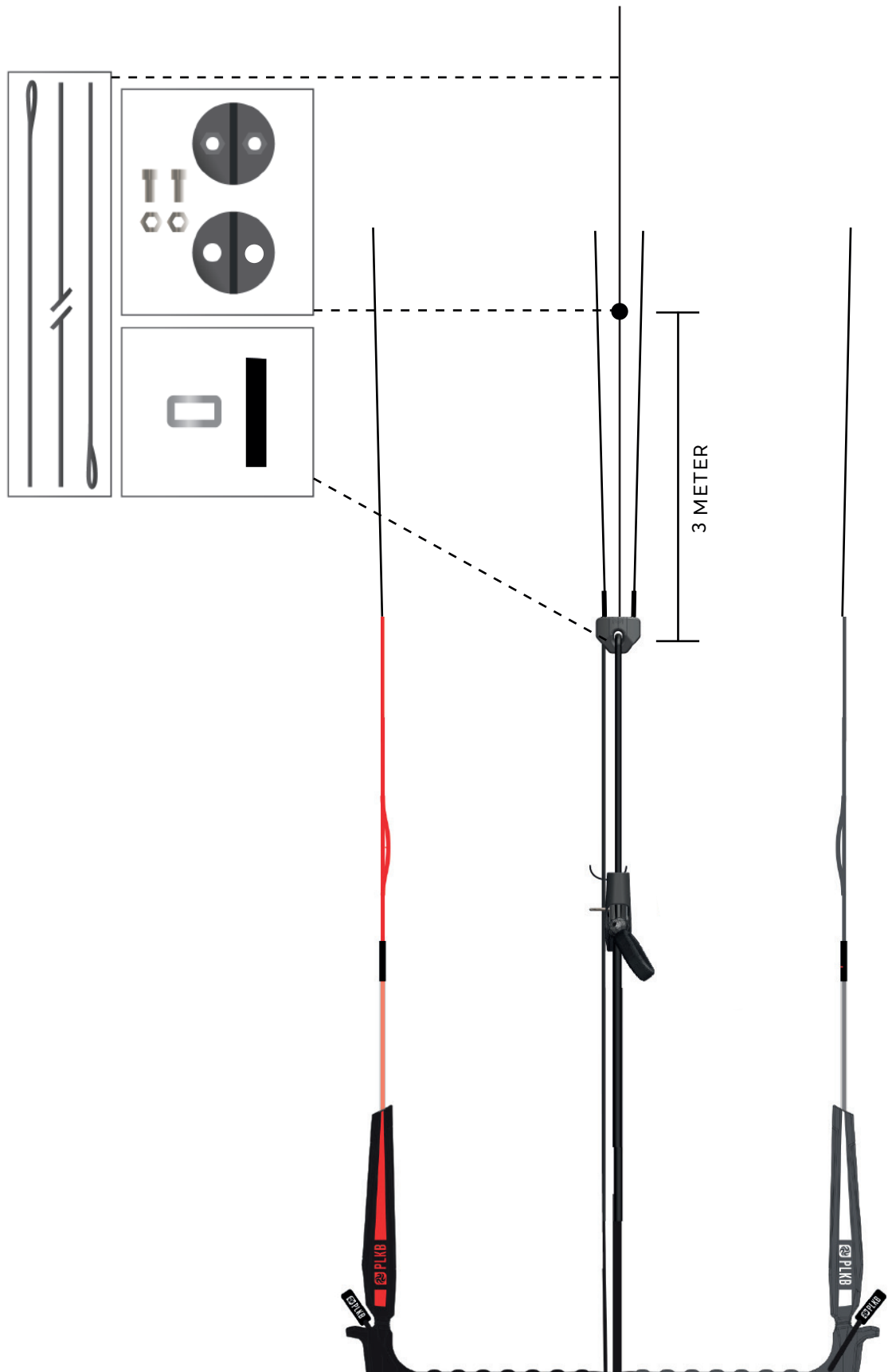


## 6.7 ADDING 5TH LINE SET

To have a working 5-line system on your PLKB Compass Control Bar, you need to add a 5th line and move the safety line from the powerline to the new 5th line. See next page for instructions.

PLKB Compass 5th Line Set 18m & 22m

PL100300009 | PL100300010

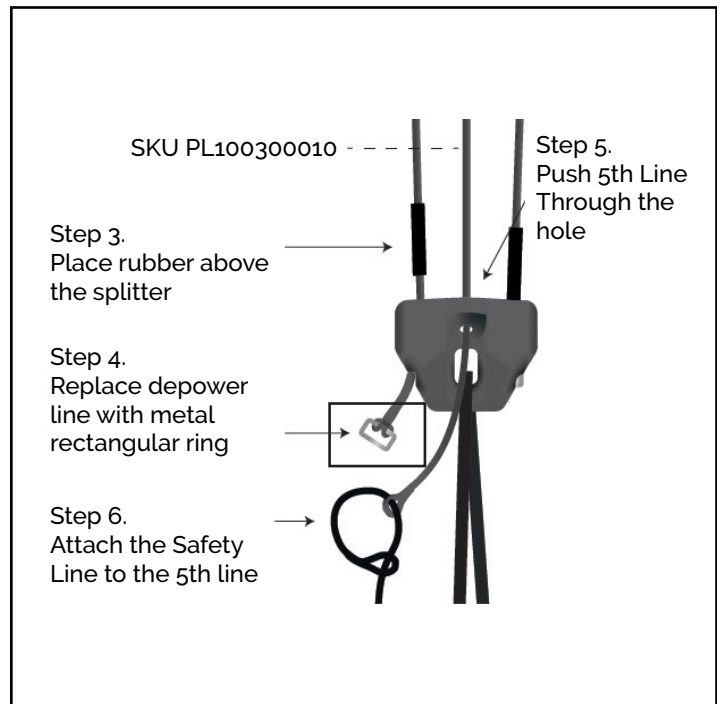
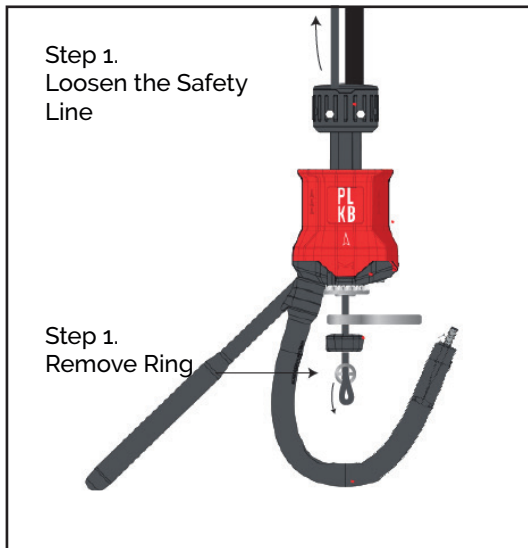
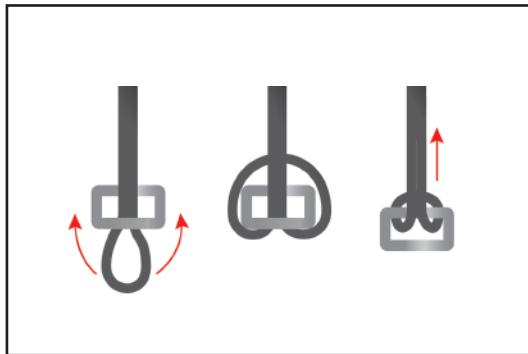


## ADDING THE 5TH LINE

The 5th Line goes through the Line Splitter and should be attached to the Safety Line.

### INSTRUCTIONS

1. Detach the Safety Line from the Safety Line Connector.
2. Remove the Safety Line from the Power Line
3. Add the Rubber Tube above the Line Splitter on the Power Line
4. Add the Metal Rectangular Ring on the Power Line
5. Push the end of the 5th line through the Line Splitter
6. Push the loop of the Safety Line through that of the new 5th line
7. And pull the hole safety leash through it's own loop to attach it
8. Re-attach the safety line with the Safety Line Connector set

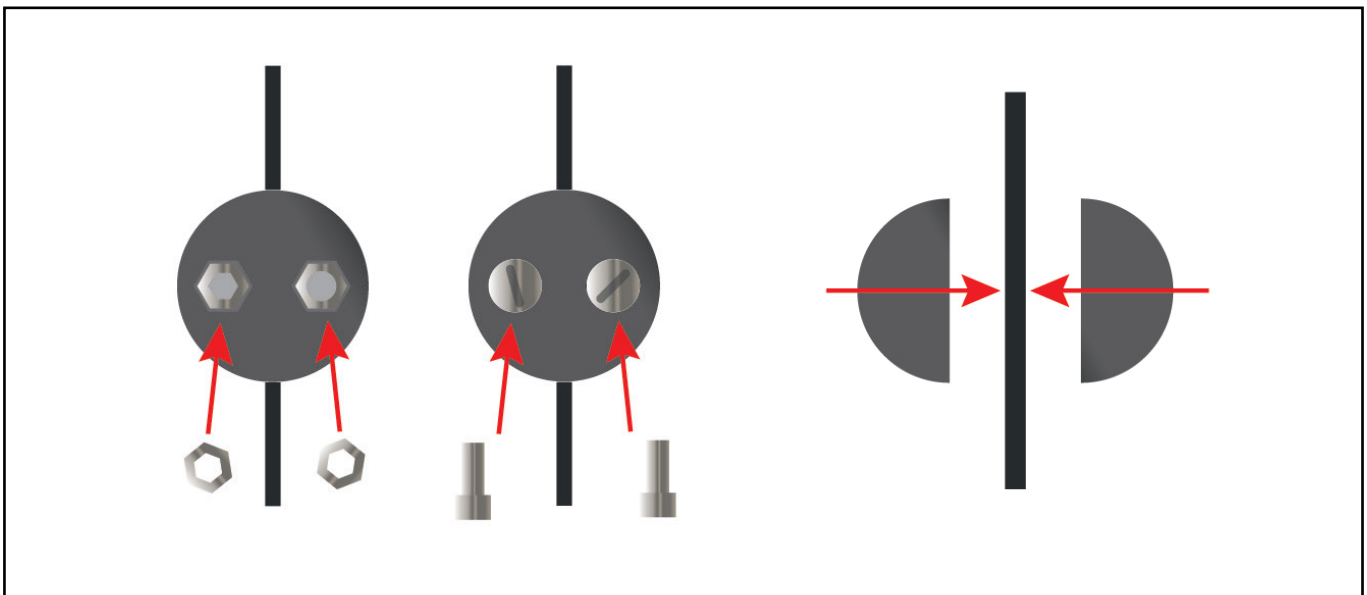


## **ADDING THE LINE STOPPERBALL**

The Line Stopperball is used to stop the bar from sliding all the way up to the kite after activating the Stop 'n Go safety system. Place the stopperball 3 meter away from the bar. This way the Stop 'n Go safety system will be activated fully and your bar will stop after 3 meter.

### **INSTRUCTIONS**

1. Put both sides of the Stopperball on top of each other with the line in between.
2. Leave 3 meter between the bar and the Stopperball.
3. Place the Bolt on one side and the nut on the other.
4. Fasten the Bolt with a Screwdriver.



## 7. WARRANTY

PLKB warrants this product, when it is purchased from an authorized PLKB dealer by a retail customer, to be free of major defects in material or workmanship to the original purchaser, for a period of six (6) months from the date of purchase by the original retail customer. This warranty is subject to the following limitations:

- The warrant is solely for the benefits of the original retail purchaser and may not be assigned. For retail customer warranty claims, proof of purchase from an authorized PLKB dealer is required. If the date of purchase can not be established, PLKB will make a determination based on the last production year and/or the condition of the particular product claimed.
- The warranty on this product is valid only when it is solely used for designated purposes c.q. kiteboarding on water and does not apply to any product used for rental and/or teaching purposes.
- PLKB will make the final warranty determination, which may require inspection and/or photos of the equipment. Photos must clearly show the defect(s). If necessary, this information must be sent to the PLKB dealer where the product was originally purchased, postage prepaid. Alternatively you may contact the PLKB distributor in (or nearest to) your country.
- If a product is deemed to be defective by PLKB, the warranty covers the repair or replacement of the defective product only. PLKB will not be responsible for any costs, losses, or damages incurred as a result of loss of use of this product. This warranty does not cover damage caused by misuse, abuse, neglect or normal wear and tear including, but not limited to, damage due to excessive sun exposure, use in combination with other than PLKB control gear, damage caused by improper handling and storage, damage caused by use in waves or shore break, and damage caused by anything other than defects in material and workmanship
- The warranty is voided if any unauthorized repair, change or modification has been made to any part of the equipment. The warranty for any repaired or replaced equipment takes effect from the date of the original purchase only. The original purchase receipt must accompany all warranty claims. The name of the PLKB dealer and the date of purchase must be clear and legible.
- There are no warranties which extend beyond the warranty specified herein.

### Warranty Claims

Warranty claims must be processed through an authorized PLKB dealer and be issued a return authorization prior to shipping the product concerned. For claims processing please contact the PLKB dealer the product was purchased from or call - or write to - the national PLKB distributor. If there is no PLKB distributor in your country, please find our contact details on our website [www.plkb.world](http://www.plkb.world).

## 8. DISCLAIMER – RELEASE OF LIABILITY

PLKB / Equipe Trading B.V. - Release of Liability

### **Caution**

Before making any attempt to set up or use this product, you agree to have read and fully understood the entire PLKB Compass user manual; including, but not limited to, all instructions and warnings it contains. You also agree to make sure that any other user of this PLKB product, prior to using it, will also read and fully understand this PLKB Compass user manual; including, but not limited to, all instructions and warnings it contains.

### **Assumption and acceptance of risk**

Kite powered sports can be very dangerous and physically demanding. While powerkiting in its many forms is an exciting and fun sport, it can be highly dangerous for yourself and others around you, especially if the necessary safety precautions are not or only partly taken. The user of this PLKB product should understand that participating in kite powered sports can result in serious personal injury – and even death – to the user as well as to third parties. Before setting up and using this PLKB product you agree to assume and accept any risk of injury, whether known or unknown, to both yourself and any third parties from using this PLKB product. To reduce these risks, we strongly recommend you to stick to the safety precautions listed in this PLKB user manual.

### **Disclaimer and Release of Liability**

Concerning the purchase of this PLKB product by you, you hereby agree, to the greatest extent allowed by law, to waive any claims you have or may have in the future against PLKB and all related entities resulting from using this PLKB product and/or any of its components.

You will also release PLKB and all related entities from any liability for special, indirect, incidental, consequential or exemplary damages, whether in contract, tort, negligence, strict liability or otherwise including, but not limited to, loss of property other than this PLKB product, loss of use of this product, or other property or other economic losses. PLKB shall not be liable for contribution or indemnification, whatever the cause.

All terms and conditions contained herein shall, in the event of your death or incapacity, apply and be binding upon your heirs, next of kin and any other representatives including, but not limited to, administrators and executors. The foregoing provisions regarding liability and warranty are exclusive and in lieu of all other liability- and warranty statements, whether written, oral or implied.



PLKB.WORLD